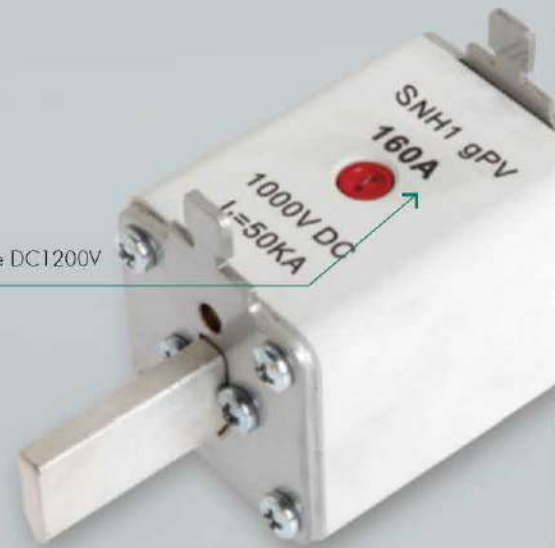


PV DC Fuse

DC Fuse mainly used in DC combiner box in solar PV systems. When PV panel or inverter causes overload or short circuit, it trip off immediately, to protect PV panels. DC fuse also used to protect other electrical parts in DC circuit, when overload or short circuit.

Maximum current 400A maximum voltage DC1200V



Nylon shell, resistant to high temperatures



SRD-10gPV 1A-20A Photovoltaic Fuse

Standard: IEC 60269-6, GB/T 13539.6

Interrupting Capacity

30,000 amperes at 1000V DC (Time Constant: 1-3ms)



Specifications

Catalog No.	Current Rating	Safety Approvals
		TUV
10gPV1U0	1A	●
10gPV2U0	2A	●
10gPV3U0	3A	●
10gPV3.5U0	3.5A	●
10gPV4U0	4A	●
10gPV5U0	5A	●
10gPV6U0	6A	●
10gPV8U0	8A	●
10gPV10U0	10A	●
10gPV12U0	12A	●
10gPV15U0	15A	●
10gPV16U0	16A	●
10gPV20U0	20A	●

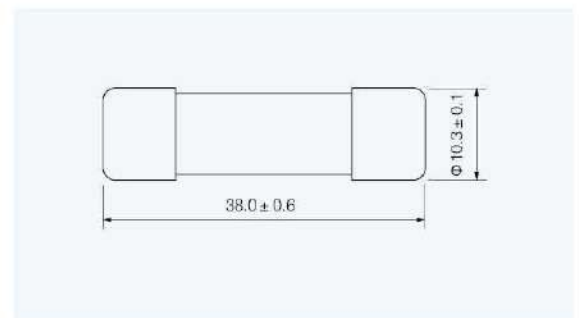
U0 Denotes For 1000V DC:

● Denotes For Approval ○ Denotes For Pending

Electrical Characteristics

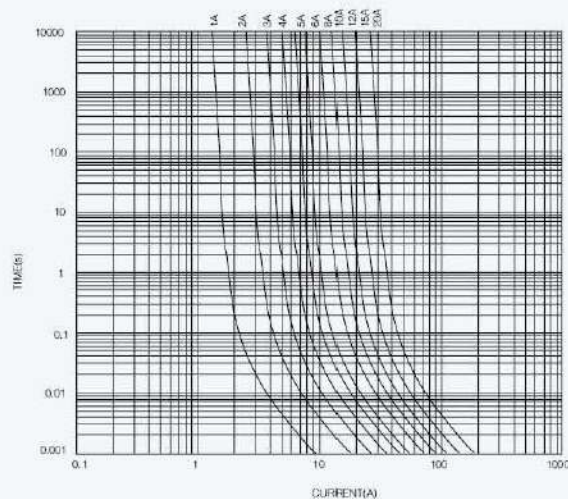
% of Current Rating	Blowing Time
113%	1 hour Min.
145%	1 hour Max.

Dimensions



SRD-10gPV

Average I-T Characteristics Curve
 (For Reference Only)



SRD-10LgPV 1A-30A Photovoltaic Fuse

Standard: IEC 60269-6, GB/T 13539.6

Interrupting Capacity (Time Constant: 1-3ms)

20,000 amperes at 1500V DC (1A-10A)

20,000 amperes at 1250V DC (12A-20A)

20,000 amperes at 1000V DC (25A-30A)



Specifications

Catalog No.	Current Rating	Safety Approvals	
		CGC	TUV
10LgPV1U15	1A	○	○
10LgPV2U15	2A	○	○
10LgPV3U15	3A	○	○
10LgPV4U15	4A	○	○
10LgPV5U15	5A	○	●
10LgPV6U15	6A	○	●
10LgPV8U15	8A	○	●
10LgPV10U15	10A	●	●
10LgPV12U15	12A	○	○
10LgPV15U15	15A	●	○
10LgPV16U15	16A	○	○
10LgPV20U15	20A	○	○
10LgPV25U0	25A	○	○
10LgPV30U0	30A	○	○

U15 Denotes For 1500V DC

U12 Denotes For 1250V DC

U0 Denotes For 1000V DC

● Denotes For Approval

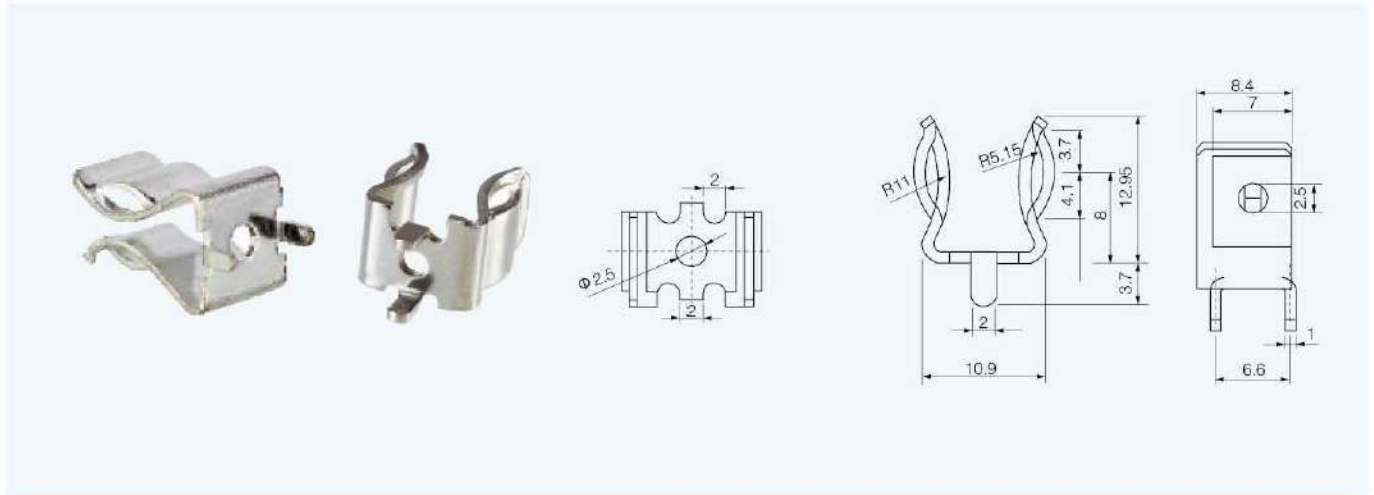
○ Denotes For Pending

Electrical Characteristics

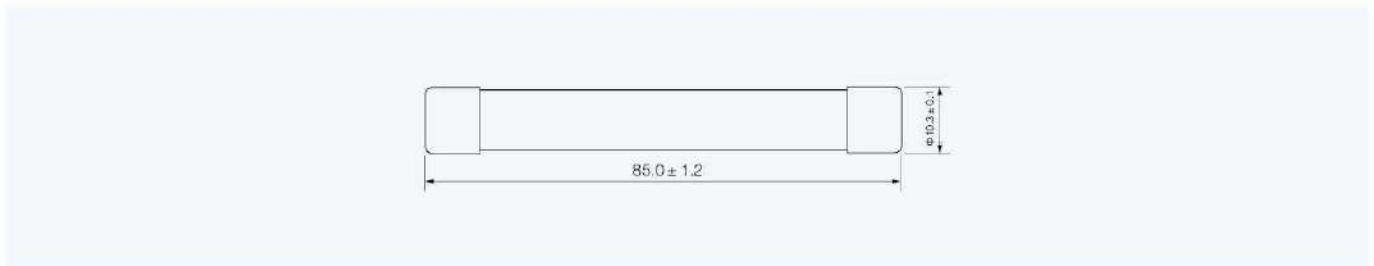
% of Current Rating	Blowing Time
113%	1 Hour Min.
145%	1 Hour Max.

Recommended fuse-base for 10mm×85mm fuses

See Model of product: SHF-103D SHF-104A

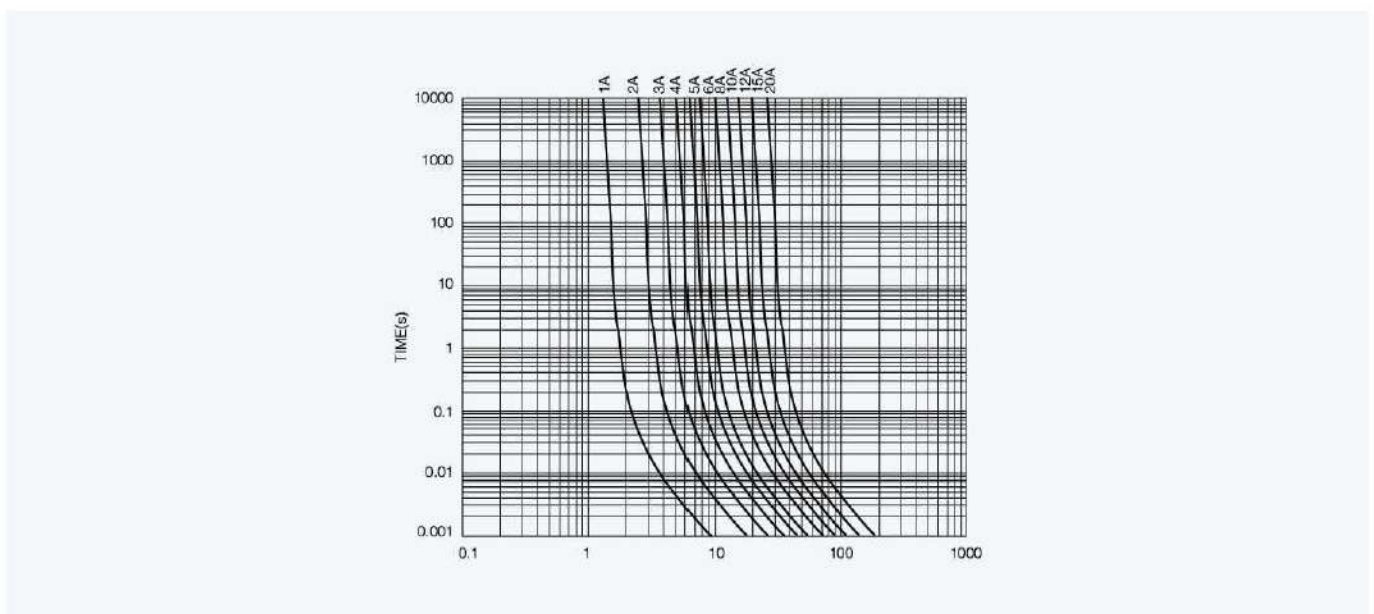


Dimensions(mm)



SRD-10LgPV

Average I-T Characteristics Curve(For Reference Only)



SNH1gPV 1000V DC 32A-160A Photovoltaic Fuse

Standard: IEC 60269-6, GB/T 13539.6

Interrupting Capacity

50,000 amperes at 1000V DC (Time Constant: 1-3 ms)

SNH1B

Recommended fuse-base for NH1 fuse

See Model of product: NHTB



Specifications

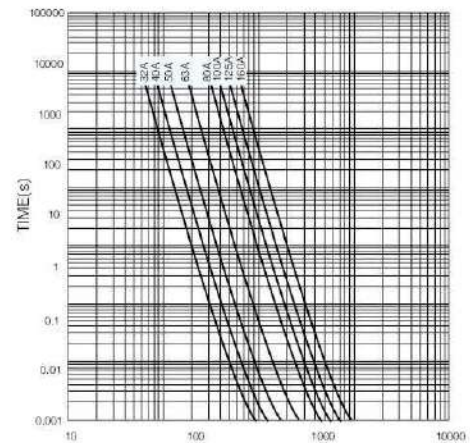
Catalog No.	Current Rating	Safety Approvals	
		TUV	
SNH1gPV32U0	32A	○	
SNH1gPV40U0	40A	○	
SNH1gPV50U0	50A	○	
SNH1gPV63U0	63A	○	
SNH1gPV80U0	80A	○	
SNH1gPV100U0	100A	○	
SNH1gPV125U0	125A	○	
SNH1gPV160U0	160A	○	

U0 Denotes For 1000V DC

● Denotes For Approval ○ Denotes For Pending

SNH1gPV

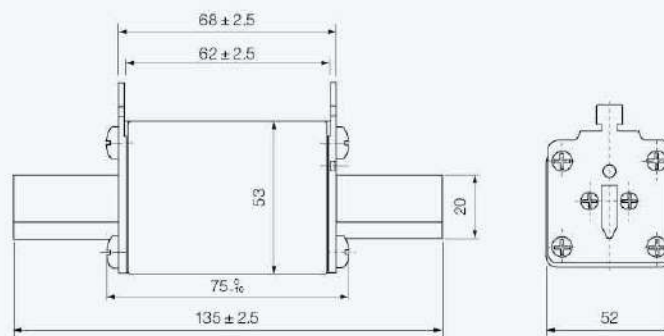
Average I-T Characteristics Curve(For Reference Only)



Electrical Characteristics

Rating	Blowing Time	
	1.13In	1.45In
In ≤ 60	1 hour Min.	1 hour Max.
63 < In ≤ 160	2 hour Min.	2 hour Max.

Dimensions(mm)



SNH2XLg PV 1100V DC 125A-400A Photovoltaic Fuse

Standard: IEC 60269-6, GB/T 13539.6

Interrupting Capacity

30,000 Amperes At 1100V DC (Time Constant: 1-3ms)

CE  ROHS



Specifications

Catalog No.	Current Rating	Safety Approvals	
		CGC	TUV
2XLgPV125U11A/B	125A	●	●
2XLgPV160U11A/B	160A	●	●
2XLgPV200U11A/B	200A	●	●
2XLgPV250U11A/B	250A	●	●
2XLgPV315U11A/B	315A	●	●
2XLgPV350U11A/B	350A	●	●
2XLgPV400U11A/B	400A	●	●

U11 Denotes For 1100V

● Denotes For Approval ○ Denotes For Pending

Electrical Characteristics

Rating	Conventional TIME(H)	Conventional Current	
		Conventional Non-Fusing Current(A)	Conventional Fusing Current(A)
$I_n \leq 60$	2	1.13I _n	1.45I _n
$160 < I_n \leq 400$	3		

SNH2XLB

Recommended fuse-base for NH2XL fuse

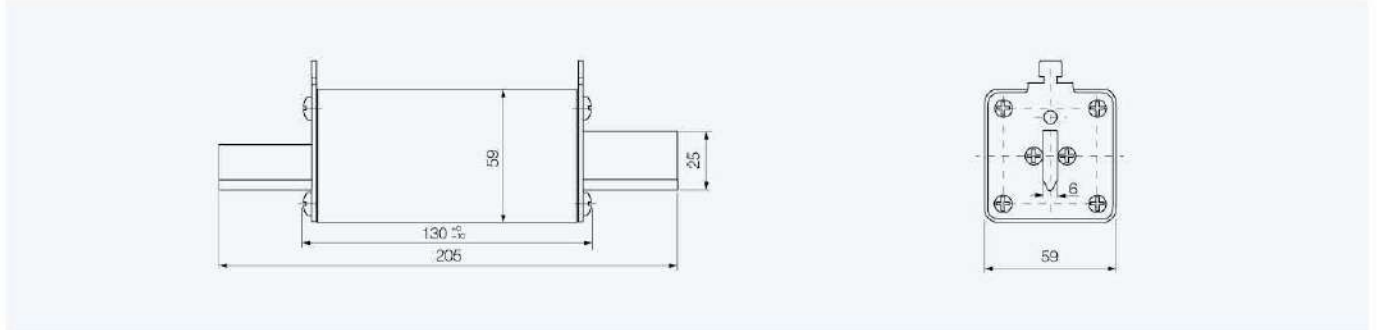
See Model of product: NH2XLB NH3LB

CE  ROHS

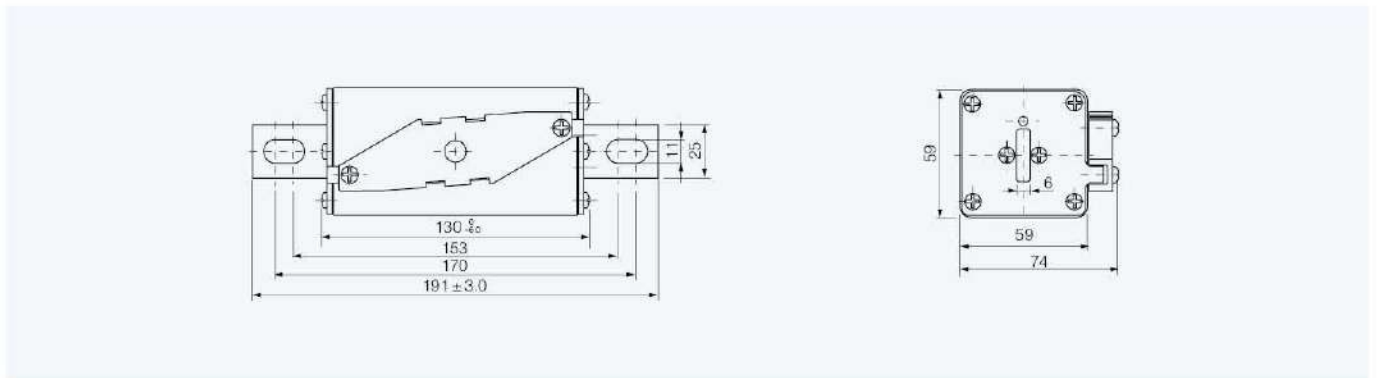


Dimensions(mm)

Part No.:SNH2XLgPV (amp rating) U11A

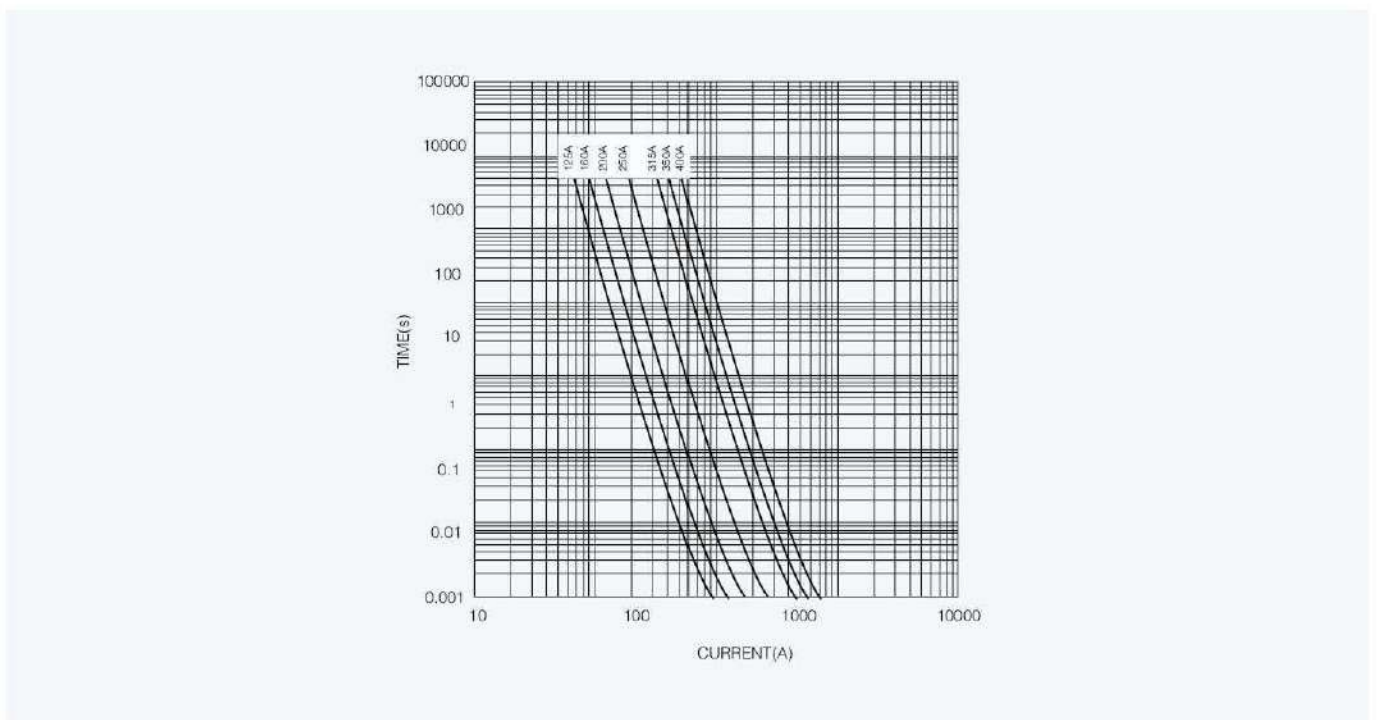


Part No.:SNH2XLgPV (amp rating) U11B



SNH2XLg PV 1100V

Average I-T Characteristics Curve(For Reference Only)



Fuse-base with Blade Contacts



SNH00B



SNH1/2/3B



SNH1/2XLB, NH3LB



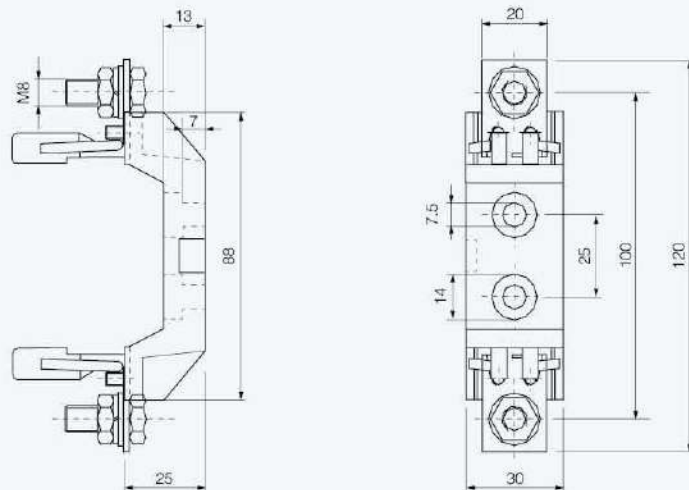
Specifications

Model of product	Applicable fuse link size	Rated voltage	Rated current	Safety Approvals
SNH00B	SNH000/NH00	690	160	CCC
		1000	160	

Model of product	Applicable fuse link size	Rated voltage	Rated current	Safety Approvals
SNH1B	SNH01	690	250	CCC
SNH2B		1000	250	
SNH3B	SNH02	690	400	
	SNH03	690	630	

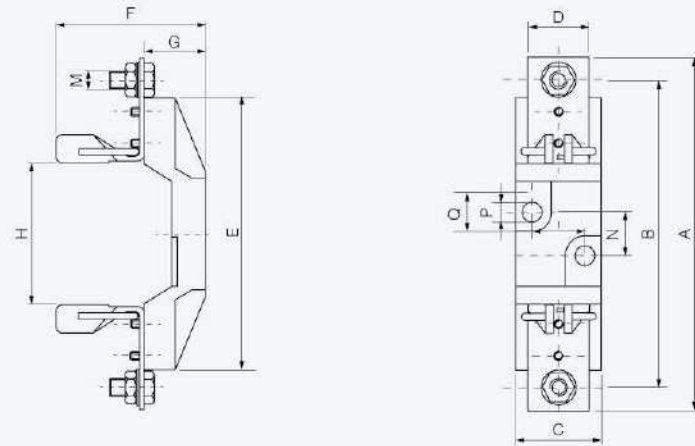
Model of product	Applicable fuse link size	Rated voltage	Rated current	Safety Approvals
SNH1XLB	SNH1XL	1000	250	
SNH2XLB	SNH2XL	1000	400	
SNH3LB	SNH2XL/NH3L	1000	400	TUV
SNH3LB	SNH2XL/NH3L	1000	630	

Dimensions(mm)



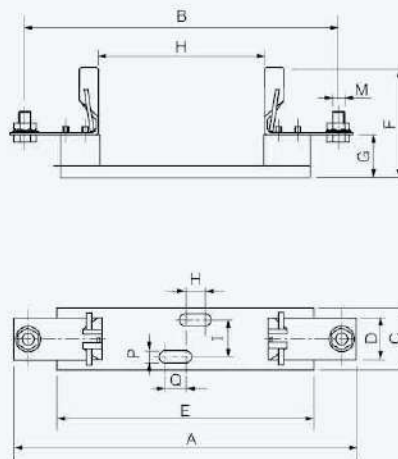
SNH00B

Dimensions(mm)



SNH1/2/3B

Size	A	B	C	D	E	F	G	H	I	M	N	P	Q
SNH1	200	175	60	35	155	85	35	80	30	M10	25	10.5	20.5
SNH2	225	200	60	35	155	90	35	80	30	M10	25	10.5	20.5
SNH3	240	210	60	35	155	100	35	80	30	M10	25	10.5	20.5



SNH1/2XLB,SNH3LB

Size	A	B	C	D	E	F	G	H	I	M	N	P	Q
SNH1XL	200	175	60	35	155	85	35	80	30	M10	25	10.5	20.5
SNH2XL	225	200	60	35	155	90	35	80	30	M10	25	10.5	20.5
SNH3XL	240	210	60	35	155	100	35	80	30	M10	25	10.5	20.5