



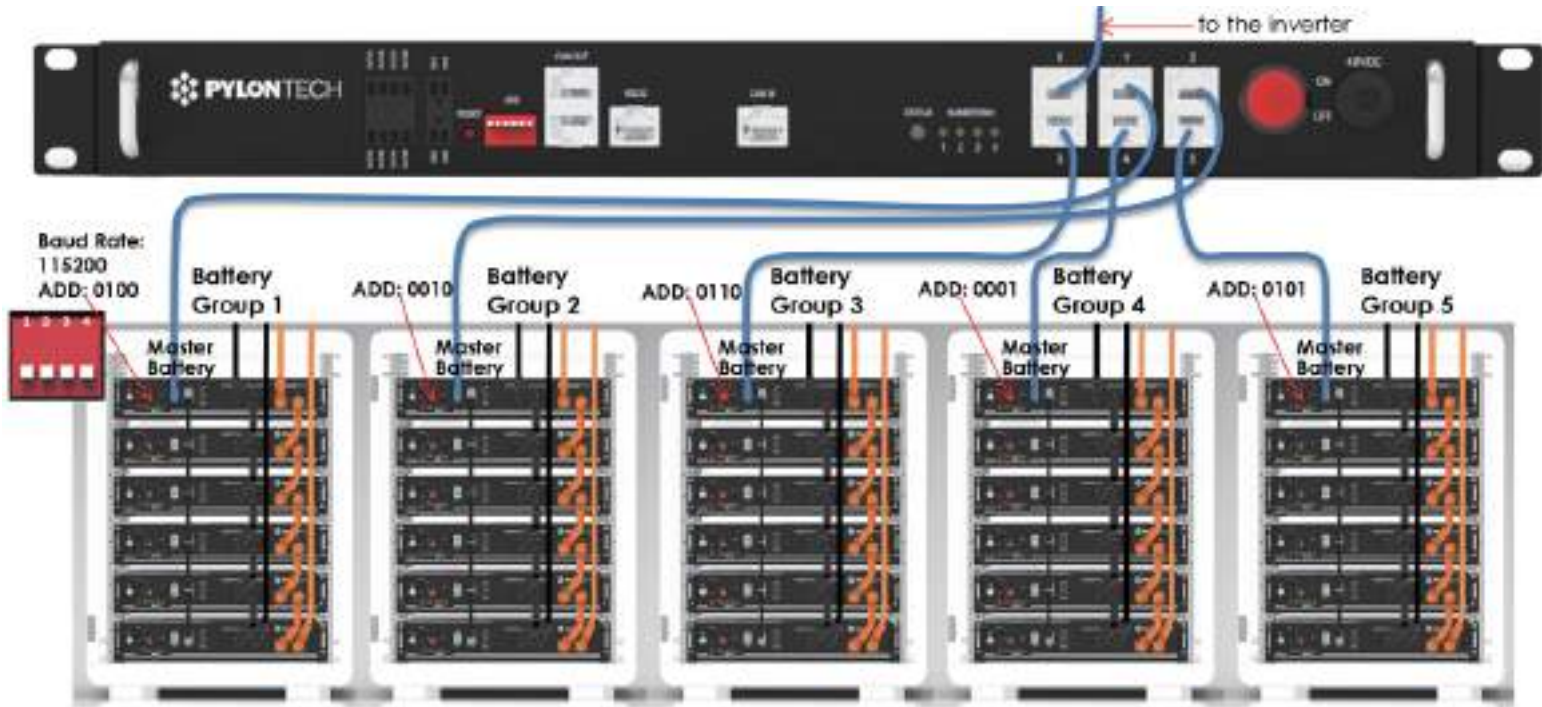
PYLONTECH



LOW VOLTAGE ENERGY STORAGE SYSTEM

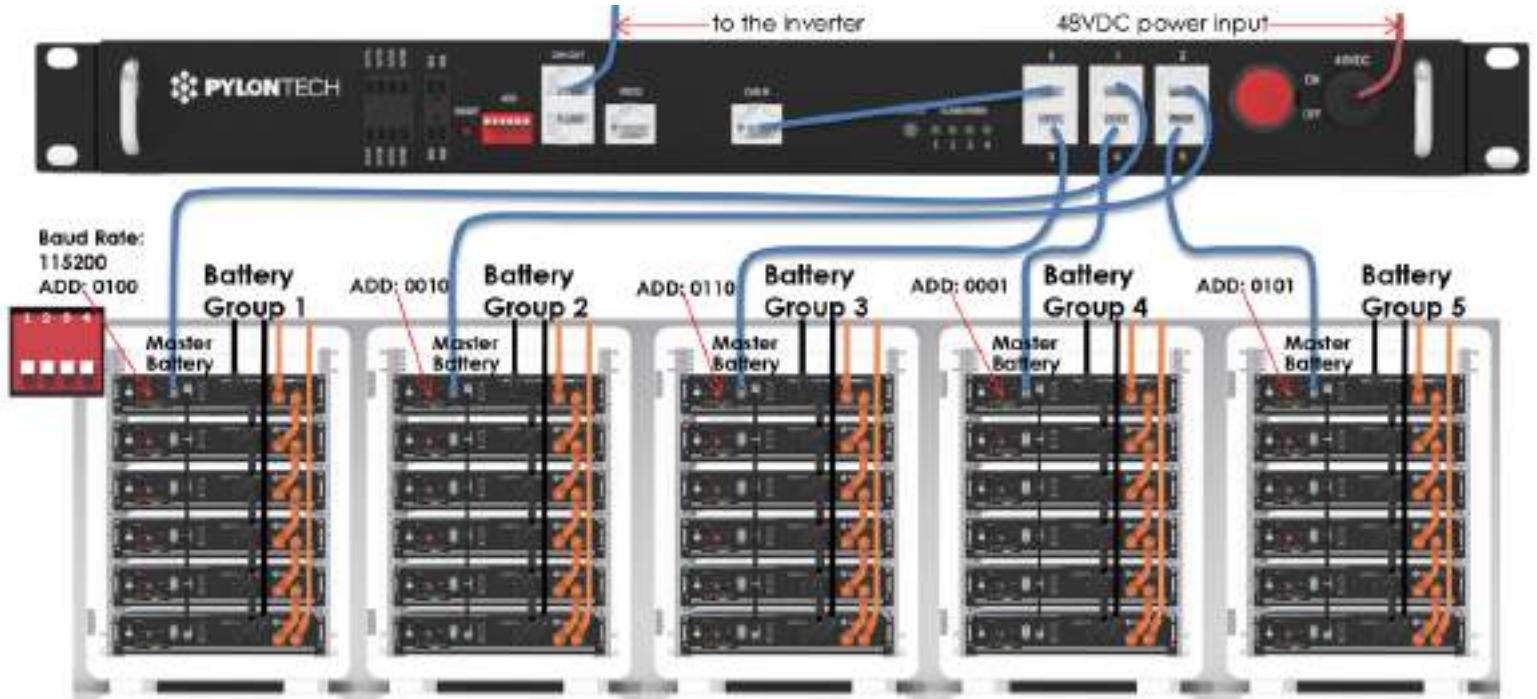
LV-HUB

Multi Battery Piles RS485 Communication Cable Connection
Each Communication HUB connects maximum 5 battery string.



Each battery pile can configure maximum 8pcs US2000B Plus or 8 pcs US3000

Multi Battery Piles CAN Communication Cable Connection
Each Communication HUB connects maximum 5 battery string.



Each battery pile can configure maximum 8pcs US2000B Plus or 8 pcs US3000

Specification

No.	Item	
1	Operating voltage range	48 Vdc
2	Communication interface	CAN/RS485
3	System Consumption	2W
4	Size	442*150*44mm
5	Protection degree	IP20
6	Weight (kg)	3.5
7	Operation Life	15 years
8	Working temperature	-20~60°C
9	Storage temperature	-40~80°C
10	CAN (Max 5 groups)	Baud rate: 500K; terminal resistance: 0/120 Ω
11	RS485 (Max 5 groups)	Baud rate:9600/115200