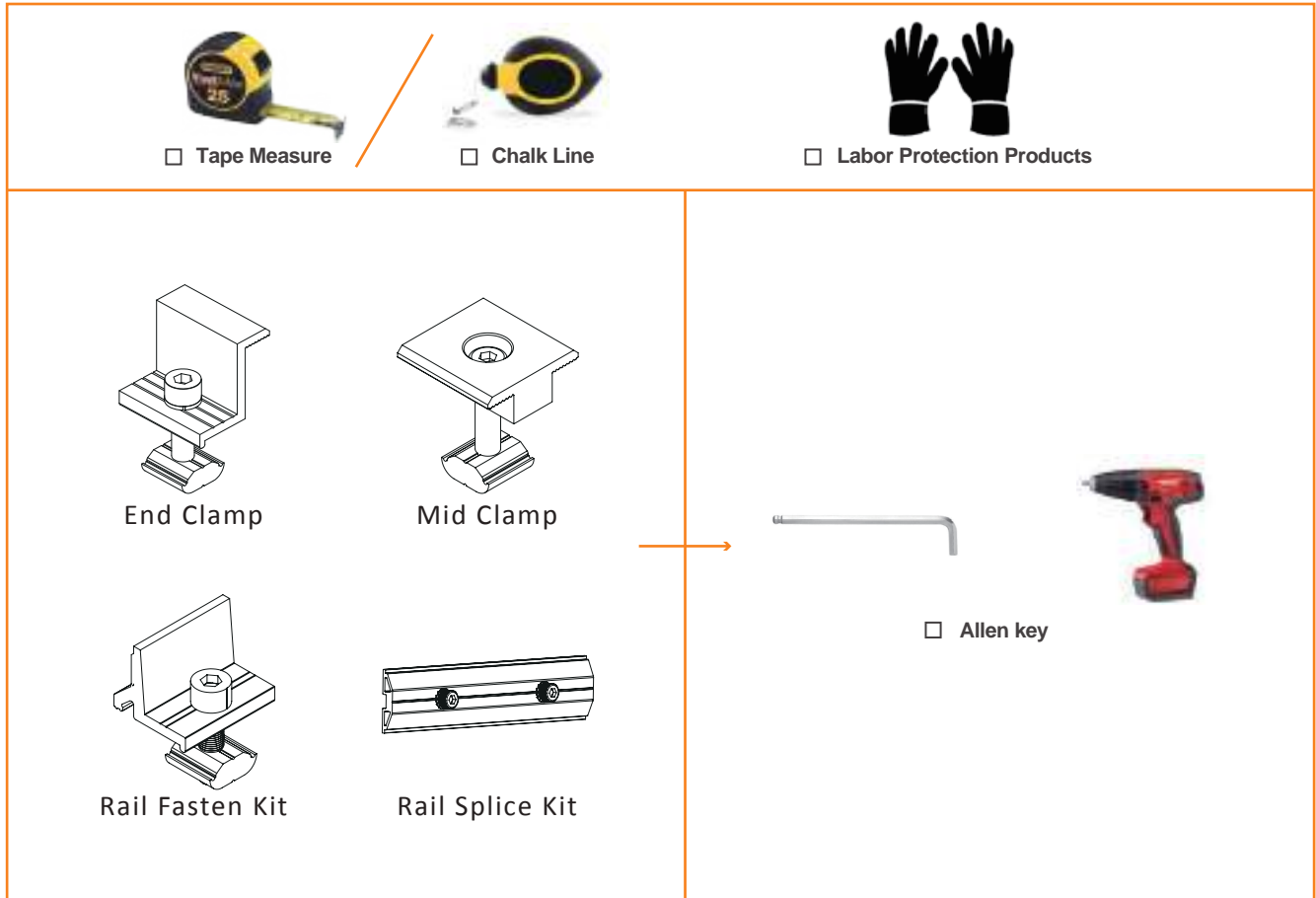


Alu Triangular Roof Mount Installation Manual

II. Installation Tools

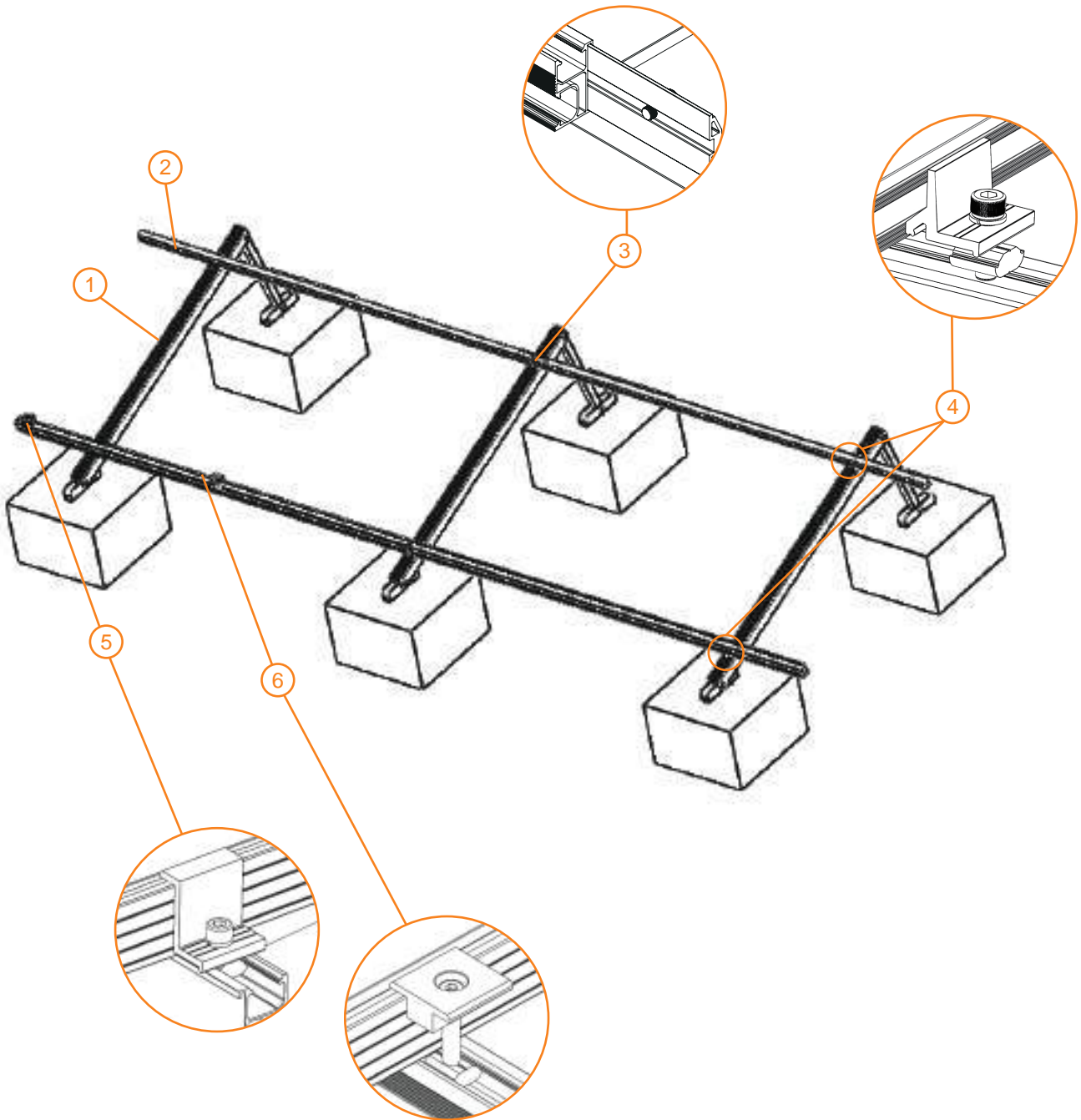





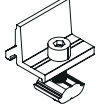
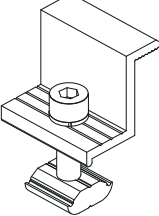
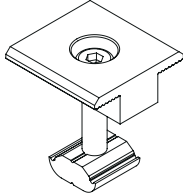
I. Installation Rule

Installation of the framing shall conform to relevant local government standards, manufacturer's specifications and good building practice. The roof to which the panels are to be installed shall conform to the relevant local government standards.

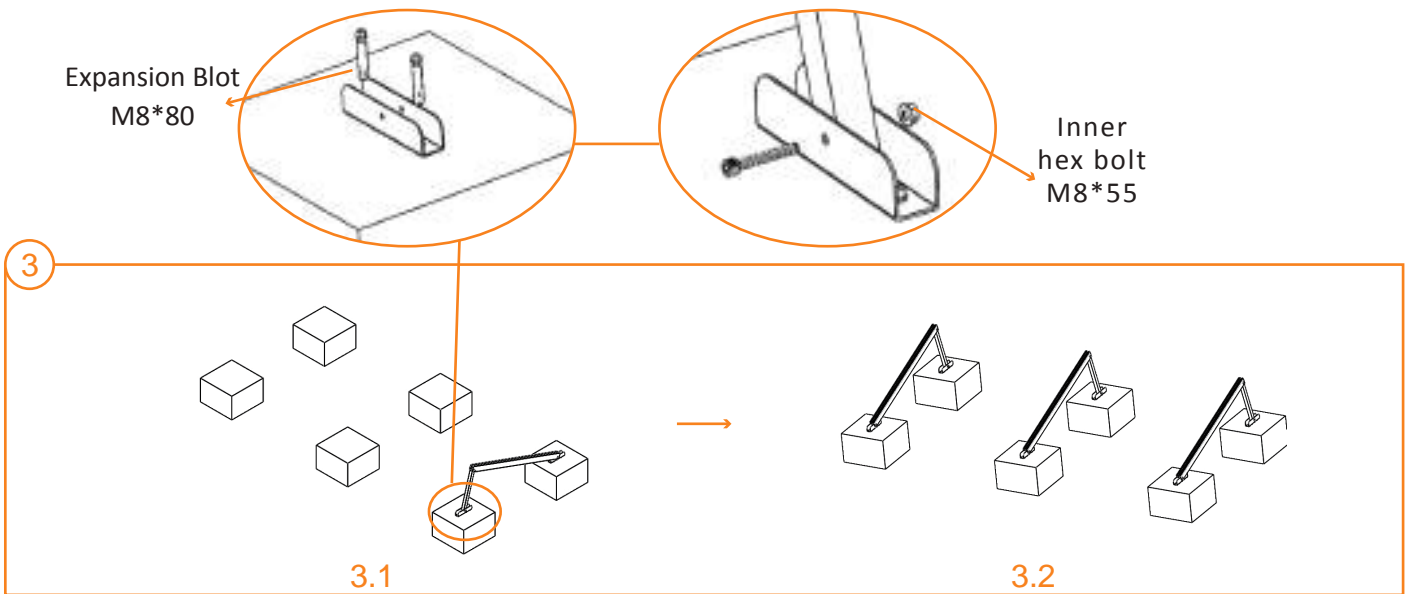
- Follow the risk management process prior to commencing work – that is, identify all the hazards, assess their risks and eliminate or control them.
- Consult with those involved in the work.
- Develop safe work procedures for installing solar panels, using information from the risk management process, which would include reviewing the following information:
 - Provide appropriate information and training to anyone involved in performing the work.
 - Provide appropriate tools and personal protective equipment (PPE).
 - Ensure that a system is in place to prevent or arrest falls.
 - Ensure there are adequate first aid facilities.
 - Ensure all employees are aware of the emergency procedures.

III. Components



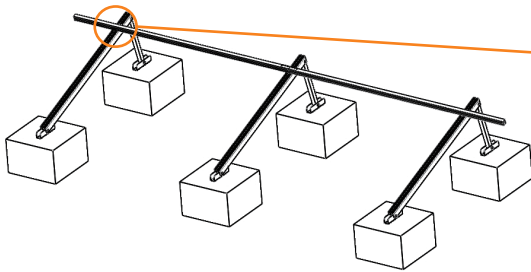
No.	Item No.	Item Name	Picture	Part No.	Part Name	Part Qty
1	CK-FTF-BL	Triangular support structure		1.1	Base	2
				1.2	Support	2
				1.3	Beam	1
				1.4	Inner hex bolt M8*55 set	3
				1.5	Expansion bolt M8*80 set	4
2	CK-FT-7-L	Rail		2	Rail 2100/3200/4200mm	1
3	CK-074-1-200	Rail Splice Kit		3.1	Rail Joiner	1
				3.2	Allen bolt M8*14	2
4	CK-079R7-40	Rail fasten kit		4.1	Rail fix kit	1
				4.2	Inner hex bolt M8*25	1
5	CK-103R7-40-40	End clamp		5.1	End clamp	1
				5.2	Allen bolt M8 * 25	1
				5.3	M8 spring washer	1
				5.4	M8 nut	1
6	CK-154R7-40-40	Mid clamp		6.1	Mid clamp	1
				6.2	Allen bolt M8 *60	1
				6.3	M8 spring washer	1
				6.4	M8 nut	1

IV. Installation Steps

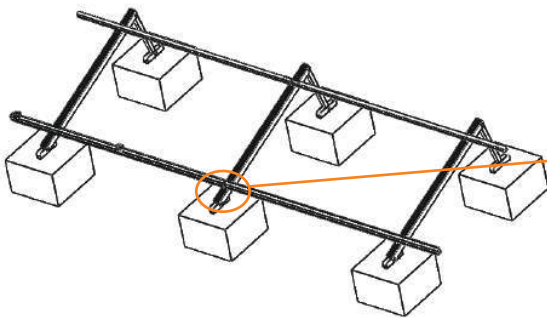


Connect the two bases to concrete block by Expansion Bolt set (1 flat washer, 1 spring washer, 1 nut);
M8: tighten torque is 15N.m; safe torque is 20N.m;

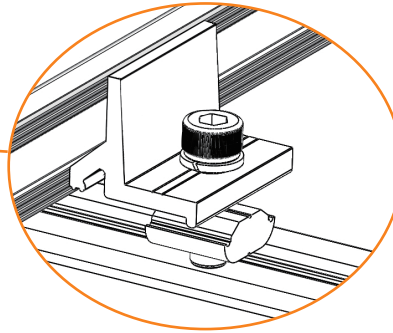
3



3.1

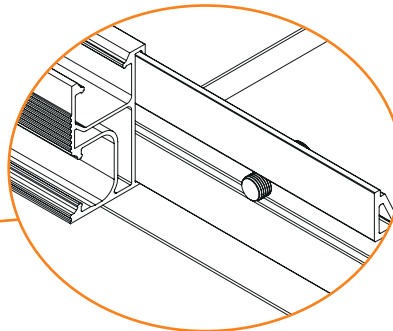


3.2



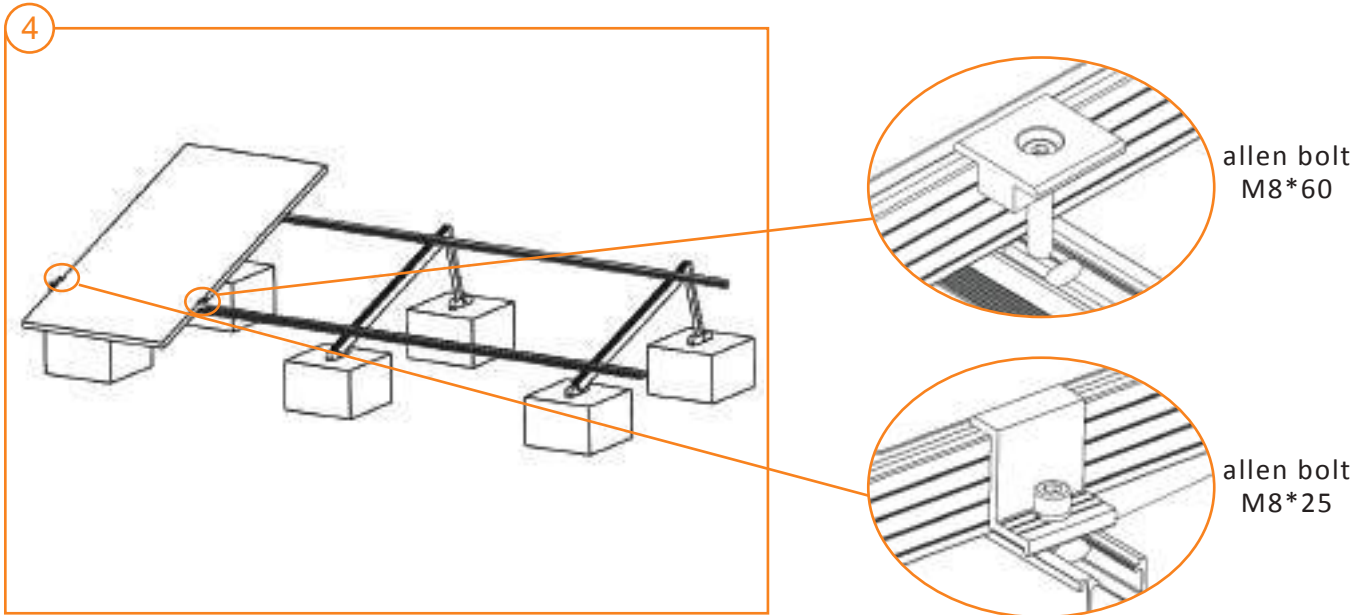
hex bolt
M8*25

Connect rail to the beams by hex bolts M8*25
(1 flat washer, 1 spring washer, and 1 nut);
M8: tighten torque is 15N.m; safe torque is 20N.m;



allen bolt
M8*14

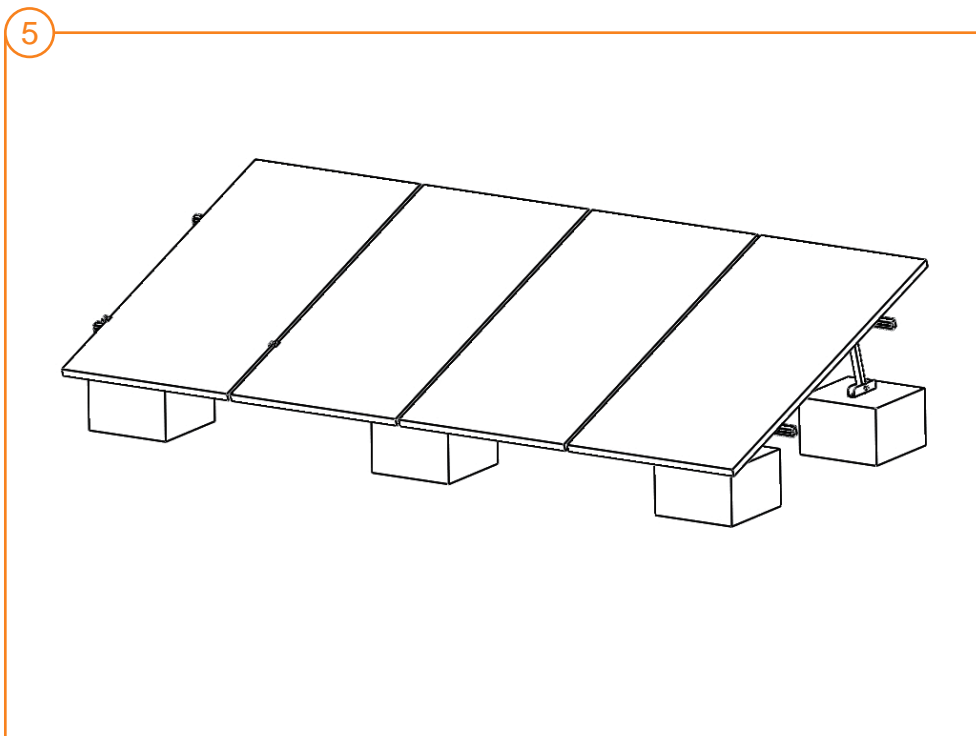
use rail splice kit to connect 2 rails by allen bolt
M8*14.
M8: tighten torque is 15N.m; safe torque is 20N.m;



Install panels onto rails by fastening mid and end clamps.

Note: End clamps by inner hex bolts M8*25 (1 spring washer, 1 square nut);
Mid clamps by inner hex bolts M8*60 (1 spring washer, 1 square nut).

M8: tighten torque is 15N.m; safe torque is 20N.m;



Double-check to make sure all bolts are fastened tight after installing all the panels.

WORLD LEADING

M A N U F A C T U R E



CHIKO
Solar Mounting Solutions

Shanghai CHIKO Solar Technology Co., Ltd.

Add: No.680 Xingwen Road, Jiading District, Shanghai 201815 China

Tel: +86-21-59972267 / 59973712 / 59973713

Fax: +86-21-59972938

Email: sales@chikolar.com

www.chikosolar.com / www.chikolar.com